

# FREUDE

## FDK163

6.5" 3-Way Component Kit

Thank you for purchasing our company car speakers  
Please read this instructions carefully before using and make sure you know speaker connections very well.

### Precautions

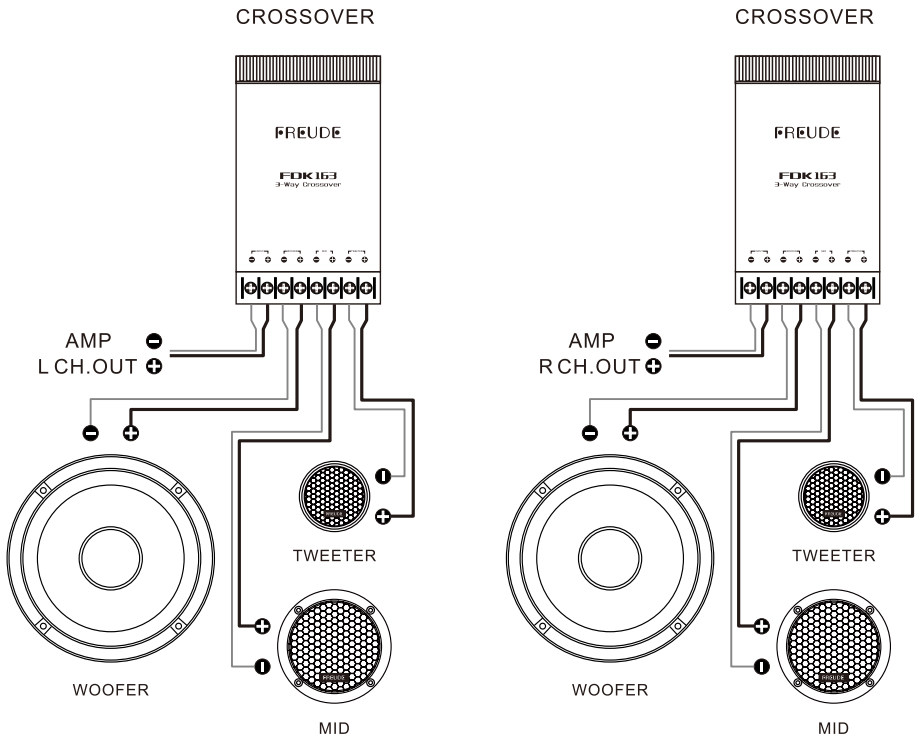
- Before making holes, check the mounting space with supplied template.
- To prevent noise pick-up, keep the wiring away from motors, high-voltage leads and other potential noise sources.
- To prevent a short-circuit, keep all wiring away from moving parts and sharp edges.
- Make sure you carefully read and understand the installation instructions before installing the system in your vehicle.

### Technical Parameters

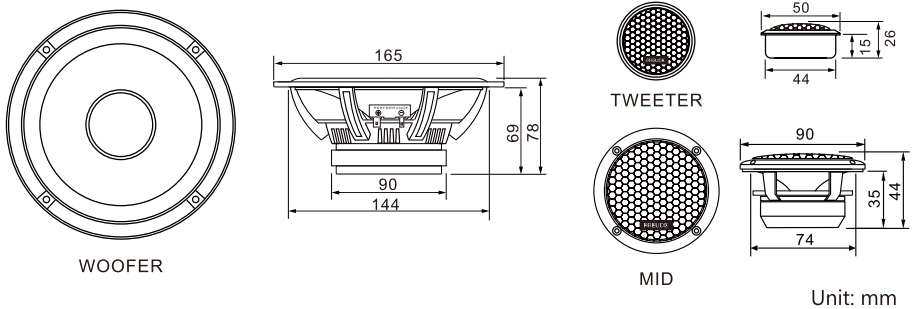
Maximum input power: 200W  
Rated input power: 100W  
Frequency Response: 48-20,000Hz  
Sensitivity (2.83V/1M): 90dB  
Nominal Impedance: 4 Ohm

WF Basket: 6.5" Cast Aluminium With Gray Painting  
WF Cone material: Fiberglass with rubber surround  
WF Voice Coil: 1" wire copper  
WF magnet: 13oz high grade ferrite  
MF Basket: 3" Cast Aluminium With Gray Painting  
MF Cone material: Fiberglass with rubber surround  
MF Voice Coil: 0.79" wire copper  
MF magnet: Neodymium  
TF Frame: Aluminium  
TF Diaphragm: silk dome  
TF Voice Coil: 1" wire copper  
TF magnet: Neodymium

# Connection Method



# Product Dimensions



The contents of this manual and the specifications of this product are subject to change without notice. SICHERHEIT reserves the right to make changes to the specifications and materials contained therein without notice.