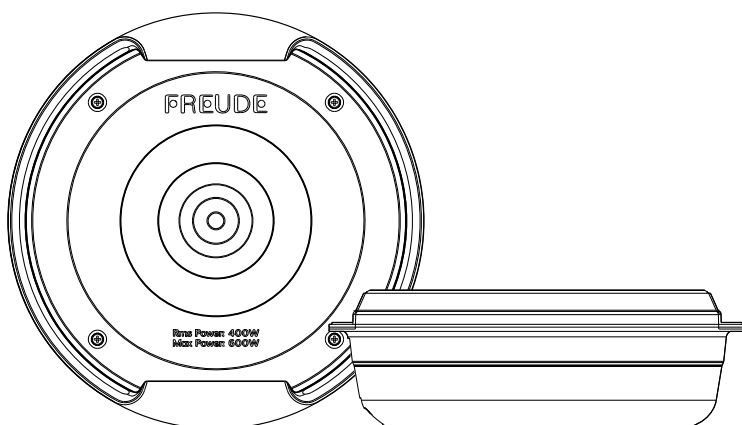


FREUDE

OWNER'S MANUAL



FBW-28S

SPARE TIRE SUBWOOFER

⚠ WARNING

**PLEASE READ CAREFULLY BEFORE INSTALLING OR OPERATING THIS UNIT,
AND KEEP IT WELL FOR NECESSARY REFERENCE DURING USE.**

Introduction

Thank you for purchasing our car speakers.

Please read this instructions carefully before using and make sure you know speaker connections very well.

Precautions

- This spare tire subwoofer designed only for assembly into 15inch spare tire or above.
- Before making holes, check the mounting space with supplied template.
- To prevent noise keep the wiring away from motors, high-voltage leads and other potential noise sources.
- To prevent a short-circuit, keep all wiring away from moving parts and sharp edges.
- Make sure you carefully read and understand the installation instructions before installing the system in vehicle.



Continuous listening to high volume(>110dB) voice may jeopardize hearing ability. Listening to voice over 130dB may cause permanent damage to hearing.

Packing List

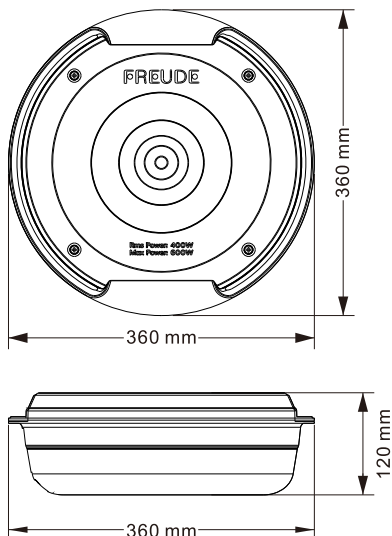
The following items should be placed in the gift box according to the model you purchased. If there is any missing, please inform the seller or manufacturer as soon as possible.

- | | |
|---------------------------|--------|
| · Spare tire subwoofer | · 1pc |
| · User manual | · 1pc |
| · Screw bolt (M8x200mm) | · 1set |
| · Sponge stickers | · 8pcs |
| · Rubber gasket | · 1pc |
| · Subwoofer mounting base | · 1pc |

Specification

· Model	· FBW-28S
· Type:	· Spare Tire Subwoofer
· Woofer Diameter:	· 11inch
· Max Power:	· 600W
· Rms Power:	· 400W
· Impedance:	· 4ohm
· Sensitivity(2.83V/1M):	· 85dB
· Frequency Response:	· 27-480Hz
· Max SPL:	· 109dB ± 2dB
· Shell Material:	· Sealed Aluminum Enclosure
· Cone:	· ABSE + Polyglass Cone
· Suspension:	· Rubber
· Voice Coil:	· 2"(53mm)
· Magnet:	· Ferrite
· Net Weight:	· 8.02kg
· Size:	· Φ360mm (D) x120mm (H)
· Made in P.R.C	

Product Dimensions



The contents of this manual and the specifications of this product are subject to change without notice. SICHERHEIT reserves the right to make changes to the specifications and materials contained therein without notice.

Installation Instruction

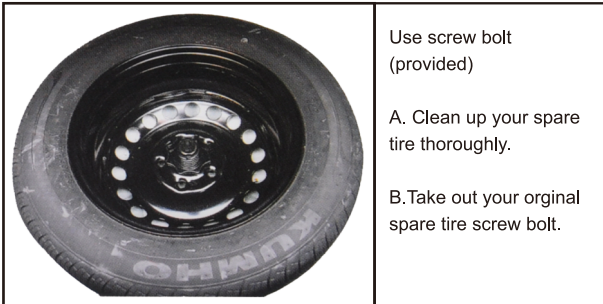
Attention: This spare tire subwoofer is only designed for assembly into over 15inch spare tire or above.

Picture 1



- A. At first, make sure your spare tire size is suitable for the spare tire subwoofer
- B. Clean up your car suitcase
- C. Take off the board and gasket of your car suitcase.

Picture 2



Use screw bolt
(provided)

- A. Clean up your spare tire thoroughly.
- B. Take out your original spare tire screw bolt.

Picture 3

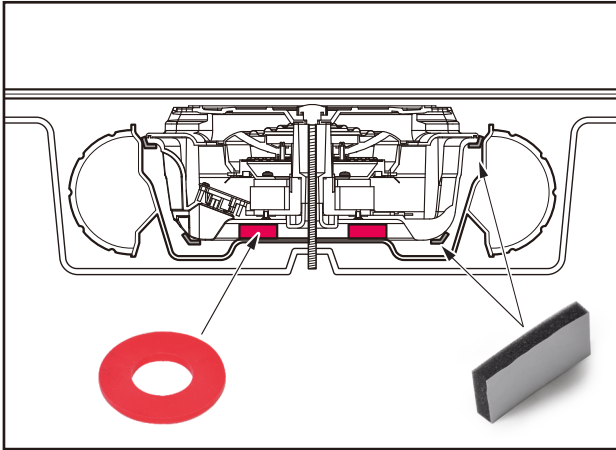


Using screw bolt and screw
nut mounting base

- A. Clean up the spare tire
- B. Take out your original spare tire screw bolt.
- C. Assemble the provided basis of screw nut.

Installation Instruction

Picture 4



A. Put the foam gasket into correct position.

Picture 5



- A. FBW-28S subwoofer connect to the speaker cable
- B. Fix to original position with spanner of L shape
- C. Fix the subwoofer into spare tire with provided screw

FREUDE

SICHERHEIT (ASIA) CO., LIMITED
Address: Flat/rm 815 8/f Star House 3 Salisbury Road
Tsim Sha Tsui, Kowloon, Hong Kong

The contents of this manual and the specifications of this product are subject to change without notice.
SICHERHEIT Company reserves the right to make changes to the specifications and materials contained therein without notice.